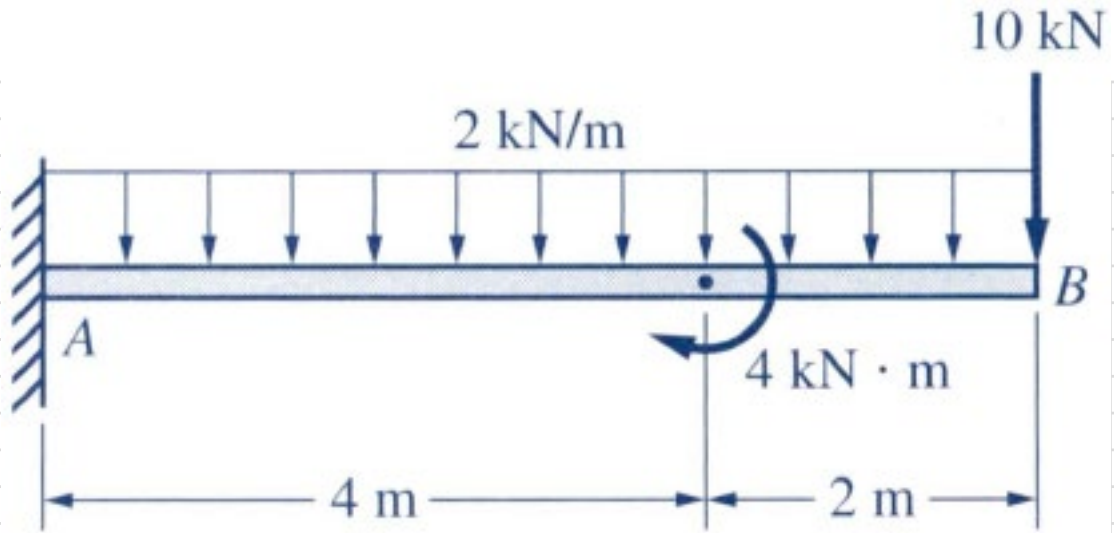


3-48

Refer to Fig. P3-48. Determine the reaction components at the fixed support of the cantilever beam due to the loads shown.

Solution.



3-56

See Fig. P3-56. Determine the reactions at supports A and B due to the applied loads shown.

Solution.

